

# FUSEHOLDERS

PCB mount

FAC

for  $5 \times 20 / 6,3 \times 32$  mm

## Fuseholder Type FAC

vertical  
shocksafe category PC2



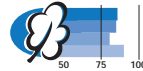
0031.3804



for 5 x 20 mm  
0031.1663



for 6,3 x 32 mm  
0031.1661/1666



- bayonet type fuse carrier, slotted
- with or without "kicked" PCB-terminals
- degree of protection IP 40 from front side, according to IEC 60529
- suitable for equipment with protection classes I and II according to IEC 60536

### Technical data

- Rated voltage: 250 V
  - Rated current: 10 A
  - Rated power acceptance at ambient air temperature  $T_a$  23 °C for fuse links  
5 x 20: 2,5 W/6,3 x 32: 3,2 W
  - Power acceptance at higher  $T_a$ : see derating curves  
Take note of the information on pages 215–219
  - Allowable ambient air temperatures  $T_a$  for accessible parts:  
–40 °C to +85 °C
  - Contact resistance: 5 m $\Omega$
  - Dielectric strength: > 4 kV, 50 Hz, 1 min.\*
  - Insulation resistance (500 V DC/1 Min): > 103 M $\Omega$
  - Solderability: 235 °C/2 s, according to IEC 60068-2-20, test Ta, method 1
  - Resistance to soldering heat: 350 °C/5 s, according to IEC 60068-2-20, test Tb, method 1B
  - Materials  
socket: thermoplastic, UL 94 V-0  
fuse carrier: thermoplastic, UL 94 V-0
- \* between metal mounting plate (10 mm) and live parts

### Standards

IEC 60127-6  
EN 60127-6, UL 512, CSA C22.2-39

### Approvals, Patents

SEV (10 A/250 V)	UL (16 A/250 V)
VDE (10 A/250 V)	CSA (16 A/250 V)
SEMKO (10 A/250 V)	

Patents in U.S. (No. 4,072,385) and in further countries

Order No. Socket and fuse carrier must be ordered separately

suitable for fuse-links

0031.3803 Socket, black, with straight terminals

5 x 20 and 6,3 x 32 mm

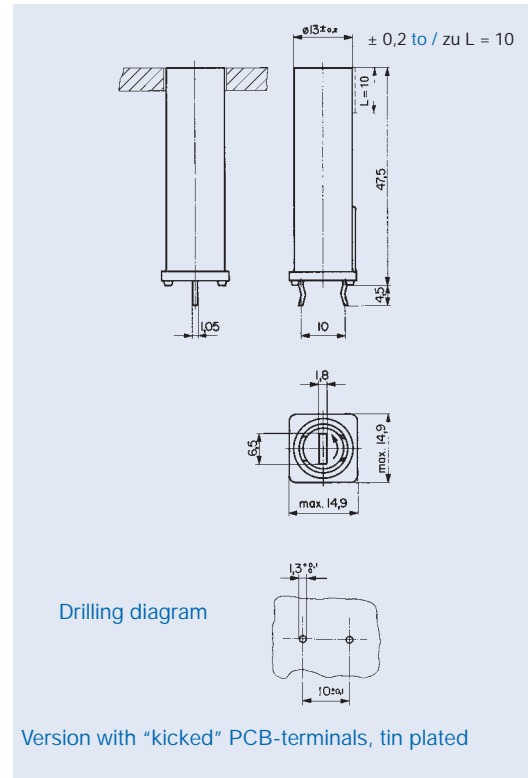
0031.3804 Socket, black, with "kicked" terminals

5 x 20 and 6,3 x 32 mm

Order Numbers with fuse carrier (example: FAC 0031.3822 = fuseholder FEU 0031.3577 and fuse carrier FEK 0031.1666 packaged together)

Fuse carrier	FEK 0031.1666 bayonet/grey for 6,3 x 32 mm fuse-links	FEK 0031.1663 bayonet/black for 5 x 20 mm fuse-links	FEK 0031.1667 fingergrip/black for 6,3 x 32 mm fuse-links	FEK 0031.1741 fingergrip/black for 5 x 20 mm fuse-links
Fuseholder				
FAC 0031.3804	FAC 0031.3822	FAC 0031.3821	FAC 0031.3823	n/a

Accessories see page 183



### Derating curves

